



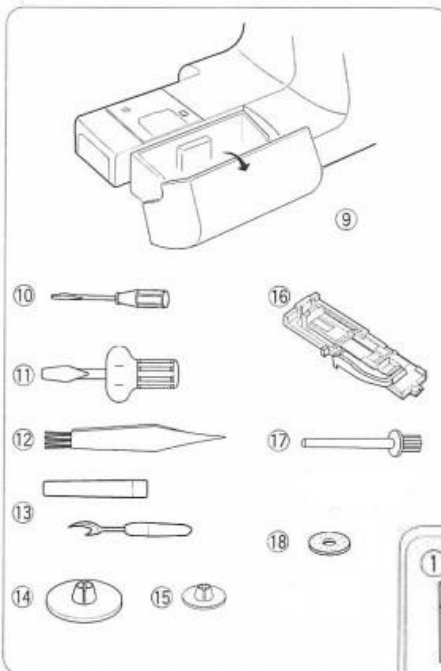
# Sewing Machine



# Sewing Machine

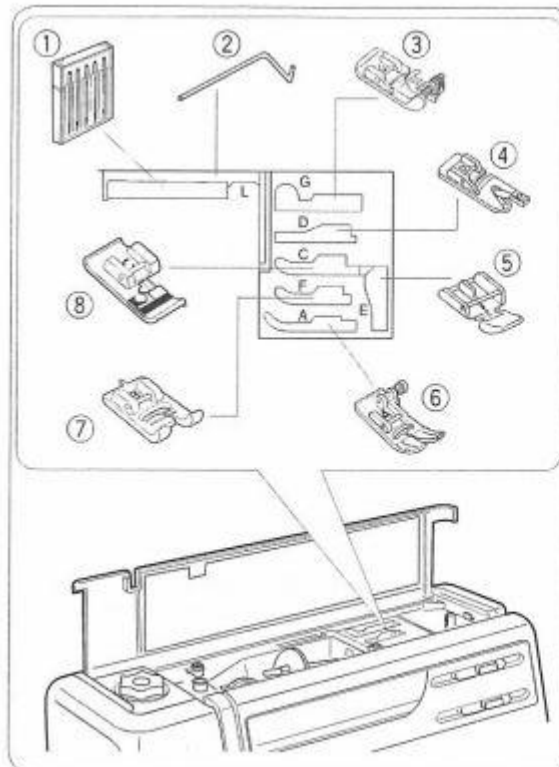
## Contents:

- Janome sewing machine
- Power cord/foot control pedal



**Extension Table (Accessory Storage Box)**  
Sewing accessories are conveniently located under the extension table.

- ⑨ Extension Table
- ⑩ Screwdriver (large)
- ⑪ Screwdriver (small)
- ⑫ Lint brush
- ⑬ Seam ripper (buttonhole opener)
- ⑭ Spool holder (large)
- ⑮ Spool holder (small)
- ⑯ R. Automatic buttonhole foot
- ⑰ Extra spool pin
- ⑱ Felt



### Foot Storage Compartment

Each presser foot and pocket is lettered for easy identification and storage. To achieve optimum sewing results, use the foot recommended for each sewing technique.

- ① Needle case
- ② L. Quilter
- ③ G. Blind stitch hem foot
- ④ D. Hemmer foot
- ⑤ E. Zipper foot
- ⑥ B. Transparent buttonhole foot
- ⑦ A. Zigzag foot
- ⑧ C. Overedge foot

## Getting Started:

### Winding a Bobbin

Do Space cannot guarantee the availability of bobbins and thread, please bring your own.

1. Plug in Power cord/foot control pedal into machine on the right side and into a power outlet.
2. Lift up the horizontal spool pin. Place the spool of thread on the pin with the thread coming off the spool as shown.



3. Attach a spool holder pressing it firmly against the thread spool. Spool holders are in the accessory storage box.

\*Use of size appropriate to your spool size.

4. Draw the thread from the spool and bring the thread around the thread guides.



5. Insert the thread through a hole on the bobbin, threading from the inside to the outside.



6. Place bobbin on the bobbin winder spindle, which should be in the left side position, and push it to the right.



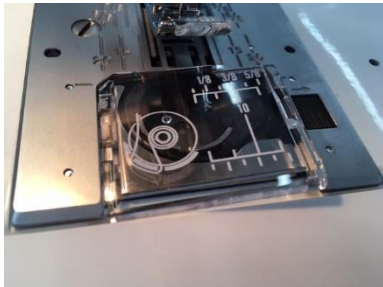
7. Hold the end of the thread and press down on the foot control pedal. Stop the machine after making a few turns and cut the thread close to the hole.
8. Press down on the foot control to continue winding the bobbin. When it is fully wound, the machine will stop automatically.

9. Move the spindle back to the left side position\* and cut your thread.

\*The machine will NOT sew until the bobbin winder spindle is in the left side position.

## Threading the Machine

1. Remove the hook cover plate by pressing the black hook cover plate release button.
2. Place bobbin in bobbin holder with the thread running counter clockwise. Guide thread into the notch A on the front side of the bobbin holder. Draw the thread to the left. Continue to draw the thread lightly until the thread slips into notch B.



3. Pull out about 6 inches (15 cm) of thread and reattach the hook cover plate.
4. Raise the presser foot by lift the black presser foot lifter. Raise the needle to the highest point by turning the top handwheel on the right of the machine towards you.

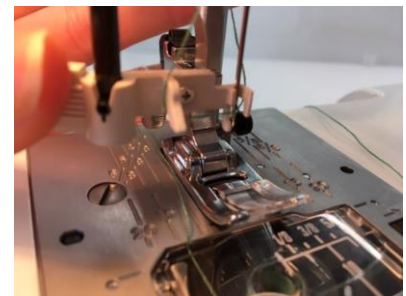


5. Lead the thread from the spool and pass it through the thread guide. Then draw it down along the right slot.

6. Guide thread around the bottom of the thread guide from right to left, then draw upward.
7. Open case to the left and firmly draw the thread from right to left over the take-up lever eye.
8. Guide thread down along left slot and slide it from the left behind the needle bar thread guide.



9. Lower the presser foot and pull down threader knob as far as it will go.
10. Press back on the threader knob on the left side. The right side should come forward with the hook coming through the eye of the needle.
11. Draw thread left to right around the guide and under the hook. Turn the knob towards the front so the hook brings the thread back through the eye of the needle and let the knob go back up.
12. Pull the thread through needle eye.



## Drawing up Bobbin Thread

1. Raise up presser foot and hold the needle thread lightly with your left hand.
2. Turn the top handwheel on the right side of machine towards you with your right hand until the needle goes down and back up to its highest position. Draw up the needle thread, you'll see a loop with the bobbin thread.
3. Pull 6in (15 cm) of both threads, pulling the bobbin thread end up and out. Bring both thread over the back of the machine.



You are now ready to start sewing! For more information about how to sew, please refer to the instruction book inside the binder.